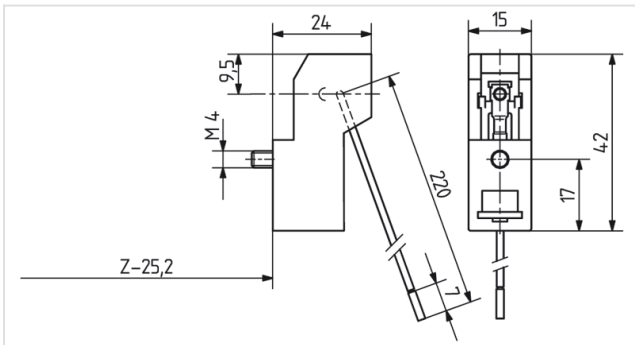




Technik für Licht
Komponenten · Optik · Automation

25.803.3809

Line Voltage Halogen Lampholders
R7s (RSC)



FC: 00
Part no.: 25.803.3809.00

6 A
250 V

T 300

Description

- Weitere Ausführungen und Befestigungsbügel auf Anfrage

Product name:	Lampholder R7s
LED type:	R7s
Symbol :	300
Mounting method 1:	Screw mount
Material:	Housing: Ceramic Contacts: Cu with brazed silver cap
Weight:	23
Single- / twin lampholder:	Single lampholder
Wires:	Cu, nickel plated 0.75 mm ² , with ferrule, Insulation PTFE (max. 250° C), Lead length: 220 mm
Pkg.:	250